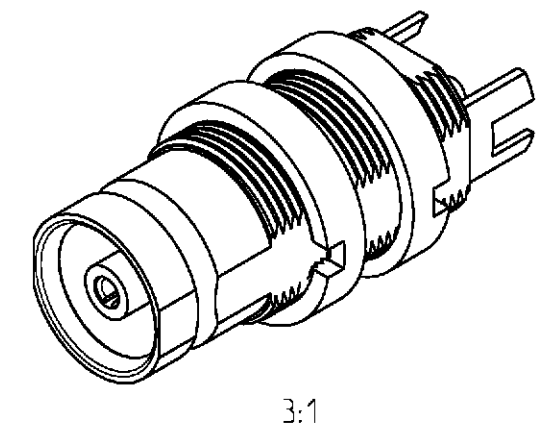
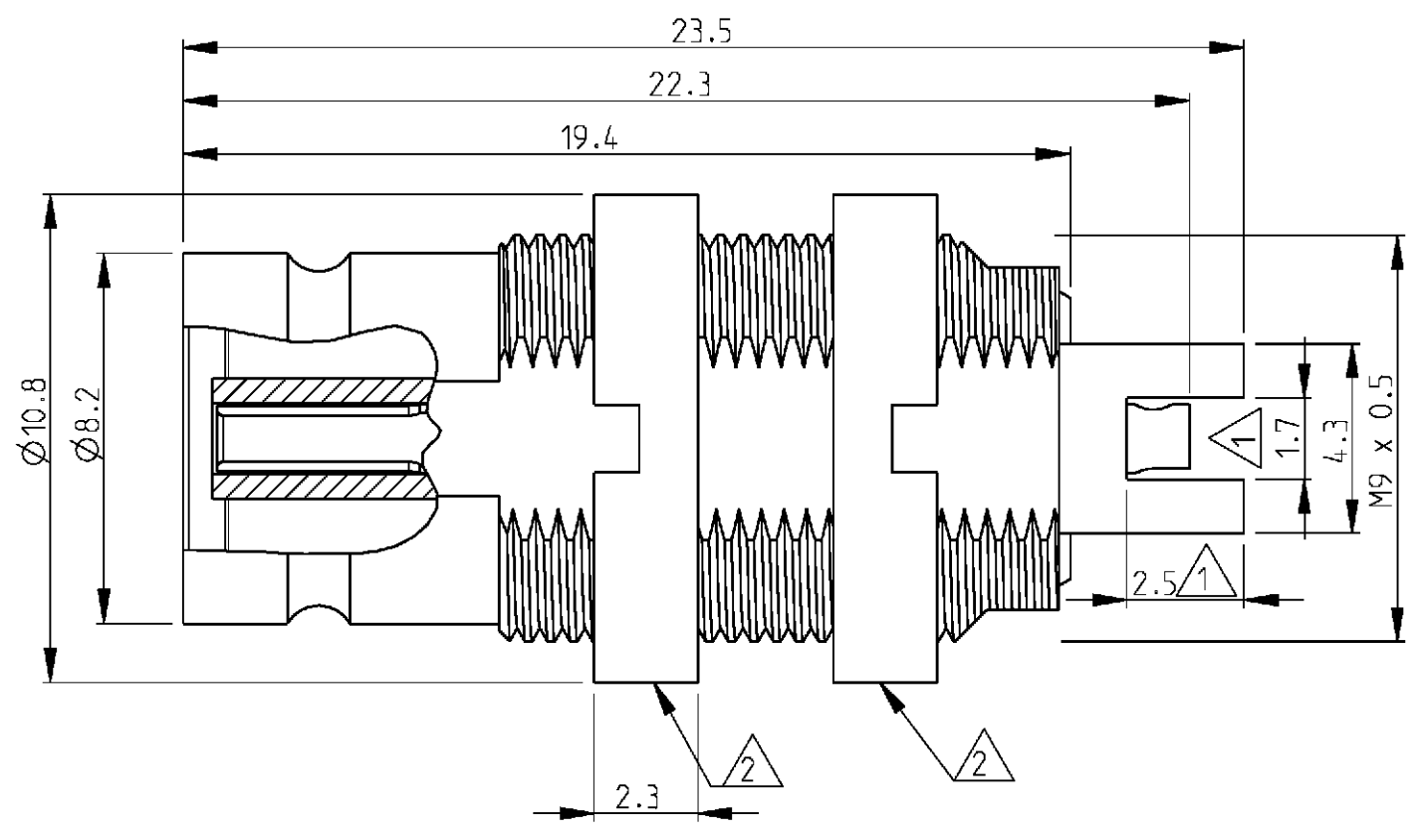


THIS DRAWING IS UNPUBLISHED. RELEASED FOR PUBLICATION 2000
 © COPYRIGHT 2000 BY TYCO ELECTRONICS CORPORATION. ALL RIGHTS RESERVED.

LOC	DIST	REVISIONS				
P	LTR	DESCRIPTION	DATE	DWN	APVD	
GW	-					
	A	WD 00/7017	10AUG2000	KM	KM	
	A1	SR10-0137-01	05APR2001	BL	KM	

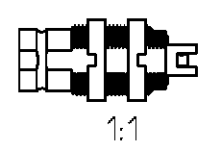


- 1 Minimum dimension
- 2 Supplied as loose part

- 3) All dimensions are maximum unless otherwise specified.
- 4) Mating face according to DIN 47295/ CECC 22240.

Cross reference table

Old part number	Tyco part number	Description	Material	Plating
V23612-A1068-G1	1-1393681-9	Outer conductor	Brass	1 µm Au min in contact area
		Center conductor	CuBe	1 µm Au min in contact area
		Dielectric	PEEK	-



<small>THIS DRAWING IS A CONTROLLED DOCUMENT FOR TYCO ELECTRONICS CORPORATION. IT IS SUBJECT TO CHANGE AND THE CONTROLLING ENGINEERING ORGANIZATION SHOULD BE CONTACTED FOR THE LATEST REVISION.</small>		DWN B. Ienvain 03APR2001 CHK K. Mattheeuws 05APR2001 APVD R. Leeman 05APR2001		tyco Tyco Electronics Electronics Oostkamp - Belgium	
DIMENSIONS: mm 		TOLERANCES UNLESS OTHERWISE SPECIFIED: 0 PLC ± 1 PLC ± 2 PLC ± 3 PLC ± 4 PLC ± ANGLES ±		NAME Bulkhead jack 1.6/5.6 75 Ohm with solder connection	
MATERIAL - FINISH -		PRODUCT SPEC - APPLICATION SPEC - WEIGHT -		SIZE A3 CAGE CODE 00779 DRAWING NO. 1-1393681-9 RESTRICTED TO -	
CUSTOMER DRAWING				SCALE 6/1 SHEET 1 OF 1 REV A1	